

Date:	Project Name:
Type:	Part Number:



FUSION SERIES

LED CYLINDER WALL SCONCE





DESCRIPTION

RENO Lighting's LED Decorative Cylinder Wall Sconce is an energy efficient wall fixture that adds a modern and refined look to any new construction and retrofit for hotels, apartments, condominiums and residences. It comes in 2 sizes and features a unique two light design in a Black finish that shoots light both up and down your walls ideal to add a modern touch.

FEATURES

- Available in: 4" and 6"
- Powder Coated Black Finish
- 3 selectable distributions (uplight/downlight/both)
- Operating temperature: -40°F to +122°F (-40°C to +50°C)
- 0-10V dimming
- Comes integrated with a photocell switch. Optional on /off
- Emergency battery back-up option
- Distribution: beam angle 15°, 25°, 40°
- IP65 rated, for wet location
- CRI >90
- Die-casting aluminum housing with powder coat paint
- 5 year warranty

APPLICATIONS

-  Cafe/Restaurants
-  Commercial building /Apartments
-  Hotels/Stairways
-  Residence



Date:	Project Name:
Type:	Part Number:

SPECIFICATION

ORDER#	MODEL#	WATTS	VOLTAGE (V)	LUMENS	SIZE	BEAM ANGLE	CCT (K)
R51220	RENO-CWS-MW-DV-MCCT-4	12/16/20W	120-347V	1260/1680/2100 lm	4"	15°/25°/40°	30/40/50K
R51221	RENO-CWS-MW-DV-MCCT-6	22/29/35W	120-347V	2040/2720/3400 lm	6"	15°/25°/40°	30/40/50K

ACCESSORIES OPTIONS

ORDER#	MODEL#	DESCRIPTION
R59208	RENO-CWS-4-OPTIC-15	4" Diffuser 15°
R59209	RENO-CWS-4-OPTIC-25	4" Diffuser 25°
R59210	RENO-CWS-6-OPTIC-15	6" Diffuser 15°
R59211	RENO-CWS-6-OPTIC-25	6" Diffuser 25°



RENO-CWS-4-OPTIC-15



RENO-CWS-4-OPTIC-25



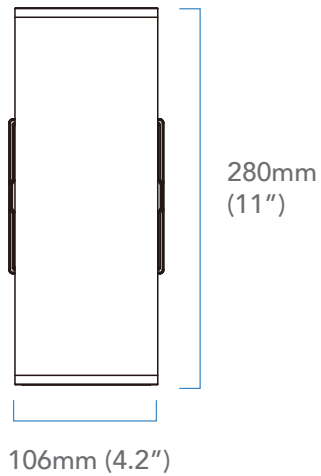
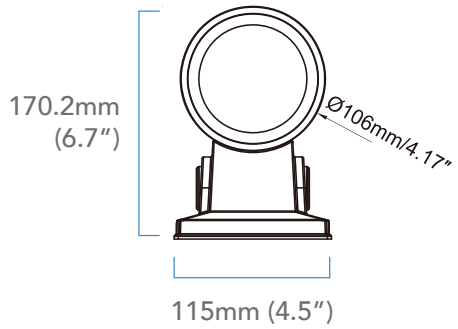
RENO-CWS-6-OPTIC-15



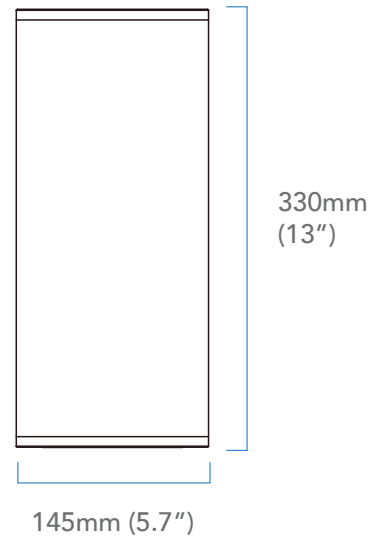
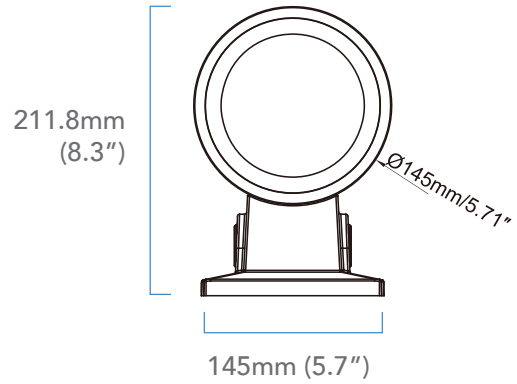
RENO-CWS-6-OPTIC-25

Date:	Project Name:
Type:	Part Number:

DIMENSIONS



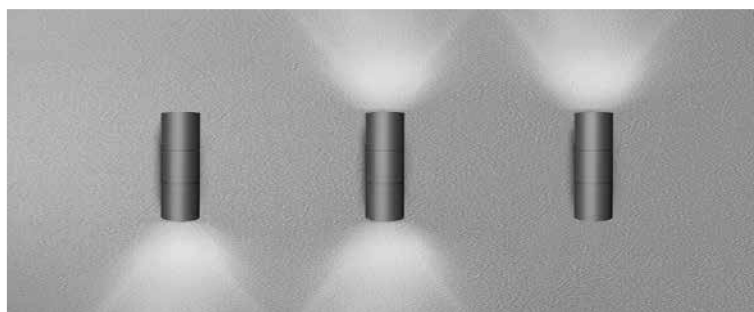
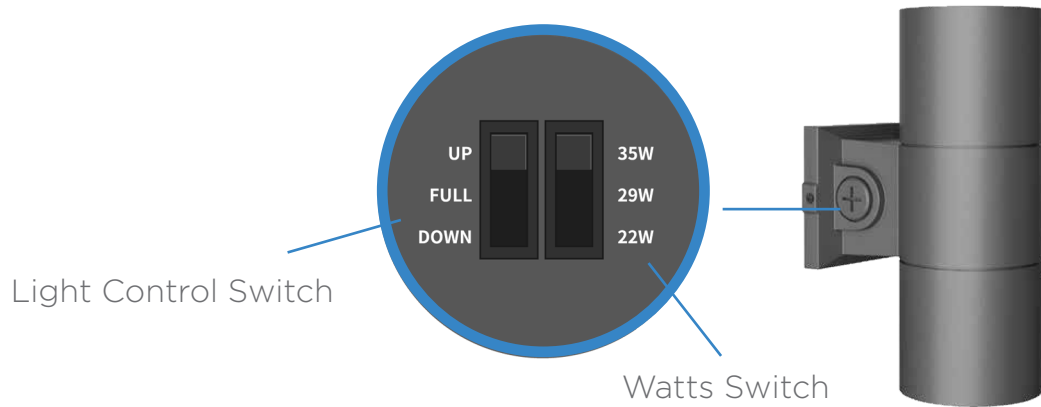
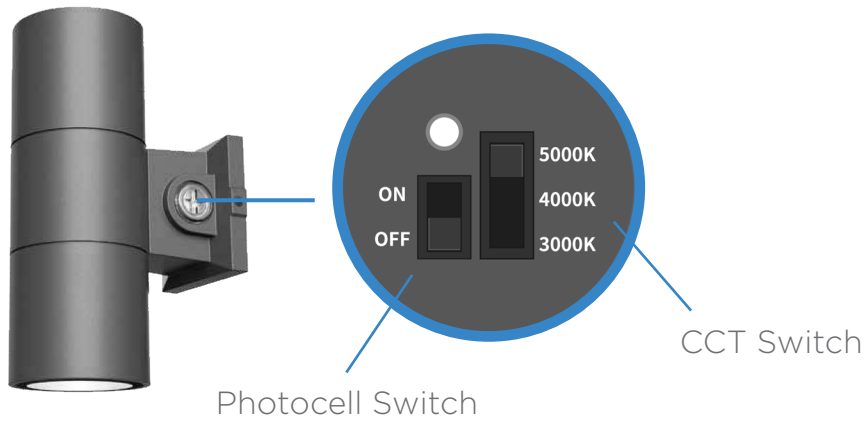
4"



6"

Date:	Project Name:
Type:	Part Number:

SWITCHES GUIDE



Down

Full

Up